

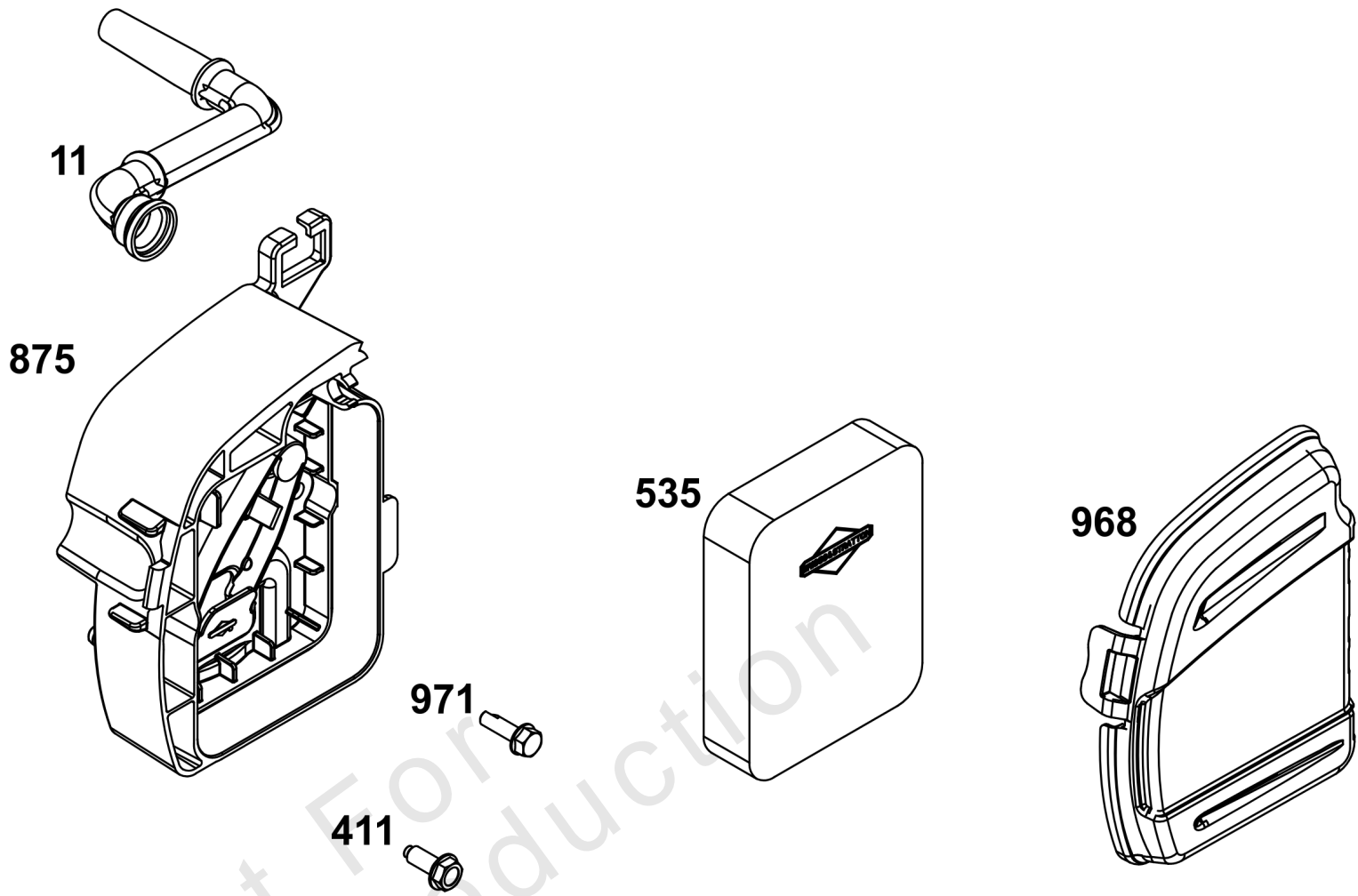


Parts Manual

Mfg. No: 124P0B-0008-F1

Model Components	Page
Air Cleaner Group.....	4
Blower Housing Group.....	6
Carburetor Group.....	8
Controls Group.....	10
Crankcase Cover/Sump Group.....	12
Crankshaft Group.....	14
Cylinder Group.....	16
Cylinder Head Group.....	18
Exhaust Group.....	20
Flywheel, Ignition, and Starter Group.....	22
Fuel Supply Group.....	24
Lubrication Group.....	26

Not For
Reproduction




Air Cleaner Group


REF NO	PART NO	QTY	DESCRIPTION
11	595283	1	TUBE, Breather
411	793480	2	SCREW -(Air Cleaner Base To Air Cleaner Bracket)
535	595297	1	FILTER, Air Cleaner Foam
875	84006337	1	BASE, Air Cleaner
968	595294	1	COVER, Air Cleaner
971	590552	2	SCREW -(Air Cleaner Base To Carburetor/Throttle Body)

Not For Reproduction

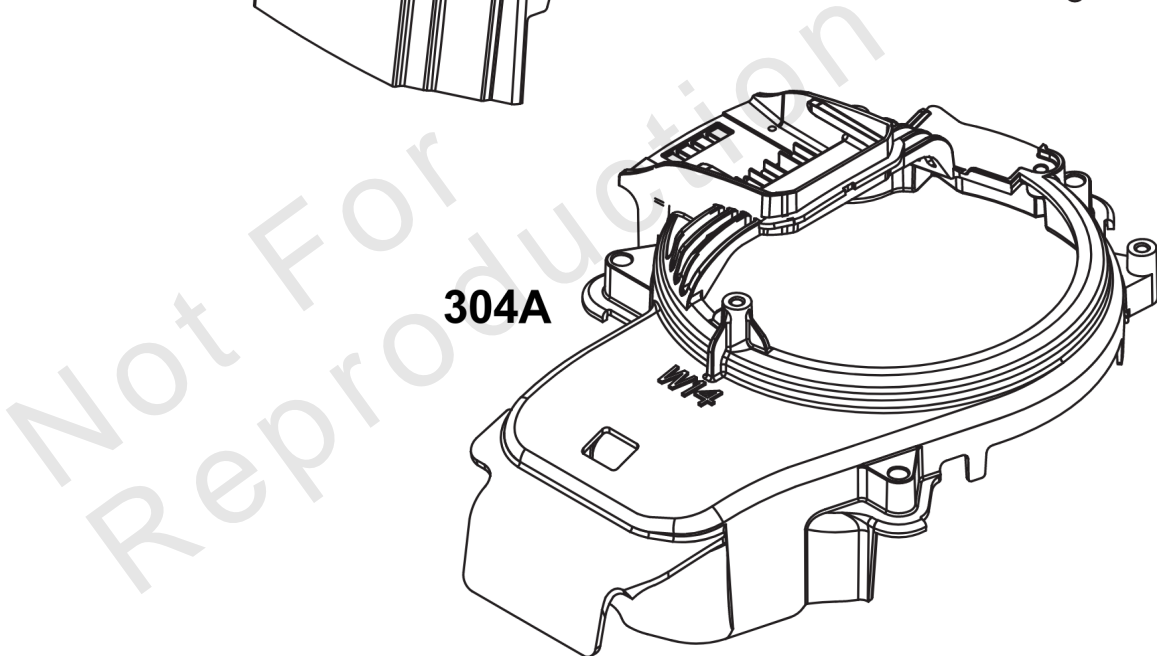
1036 

969 

304

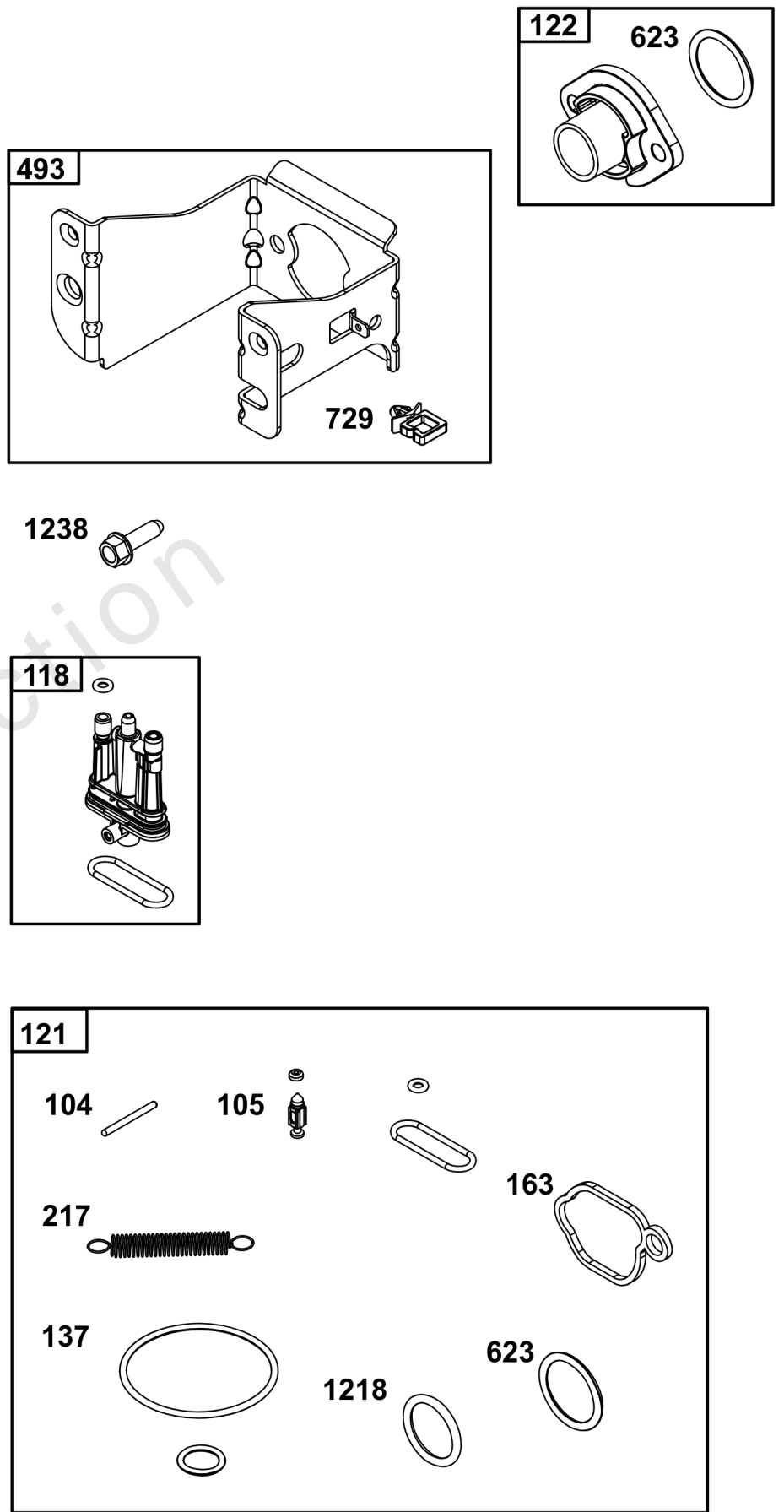
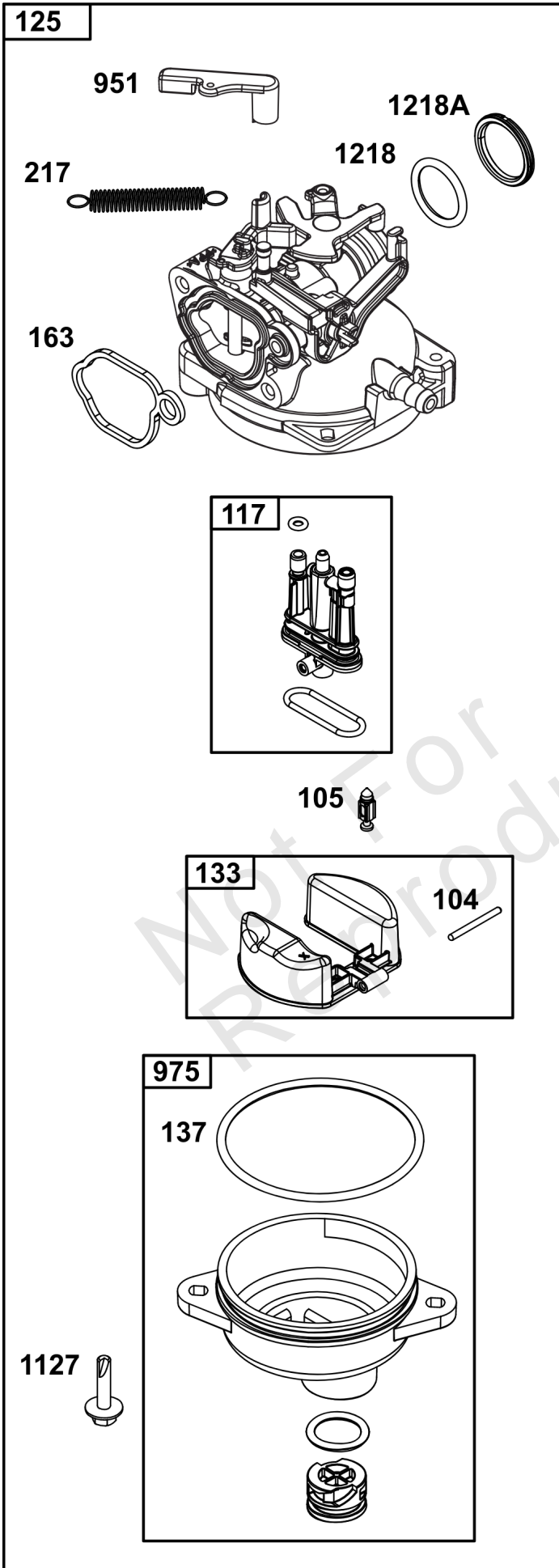
305 

304A



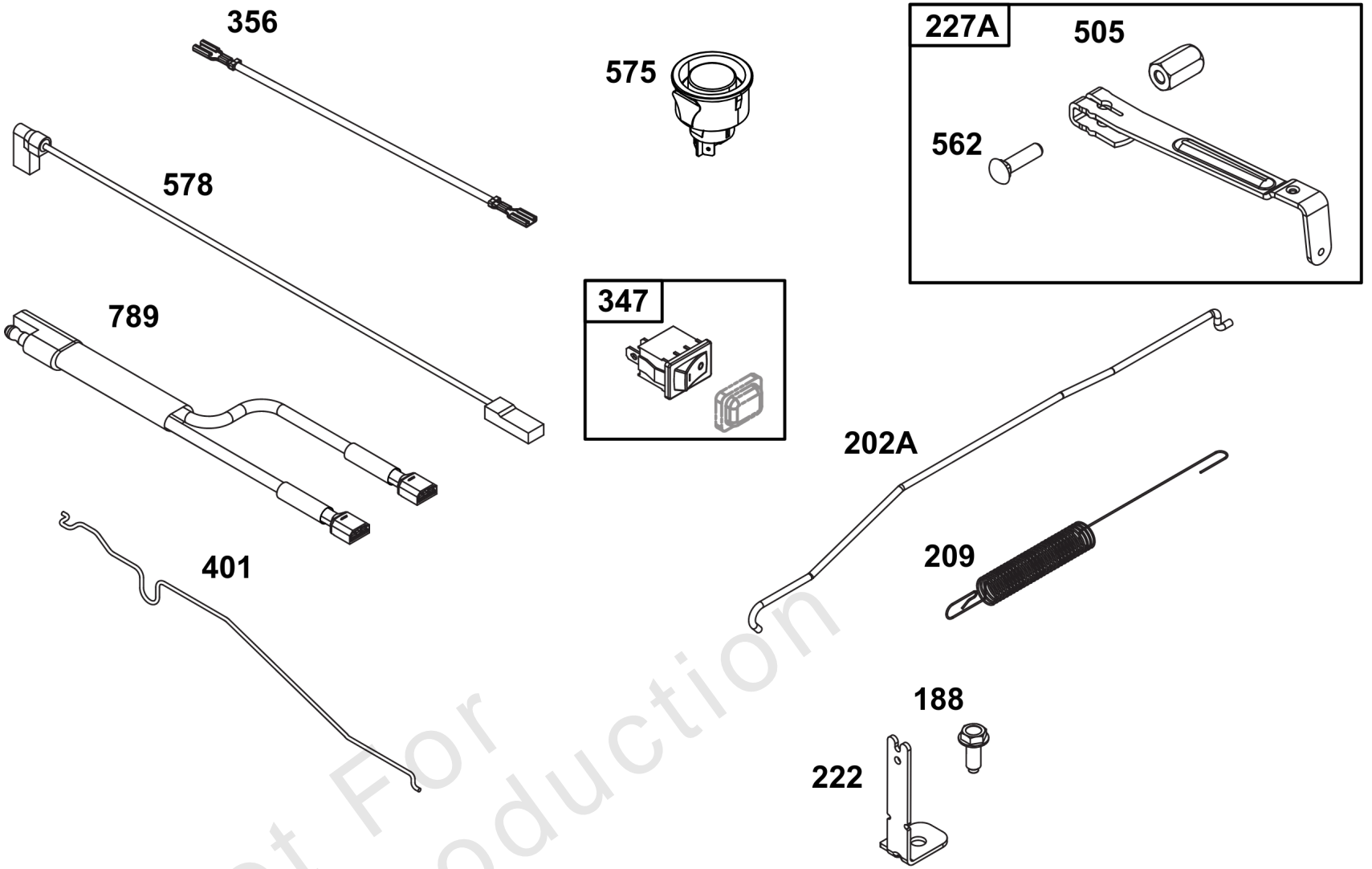
Blower Housing Group

REF NO	PART NO	QTY	DESCRIPTION
304	597428	1	HOUSING, Blower
304A	597758	1	HOUSING, Blower
305	590586	3	SCREW -(Blower Housing)
969	594115	3	SCREW -(Blower Housing Cover)
1036	-----	1	LABEL, Emissions -(Available From A Briggs & Stratton Authorized Service Dealer)
791	593561	1	CHARGER, Battery -(InStart)(North America)
791	593562	1	CHARGER, Battery -(InStart)(Europe)
791	593576	1	CHARGER, Battery -(InStart)(United Kingdom)
791	595887	1	CHARGER, Battery -(InStart)(Australia)
1511	593559	1	BATTERY -(Instart)(North America/Argentina)
1511	593560	1	BATTERY -(InStart)(Europe/Australia/Japan)



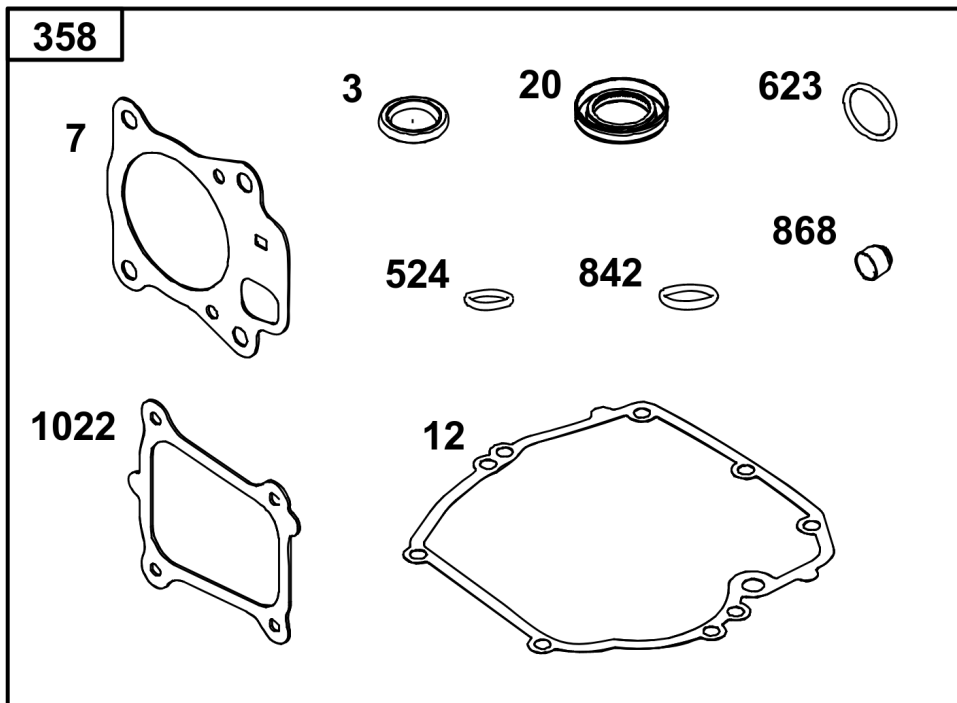
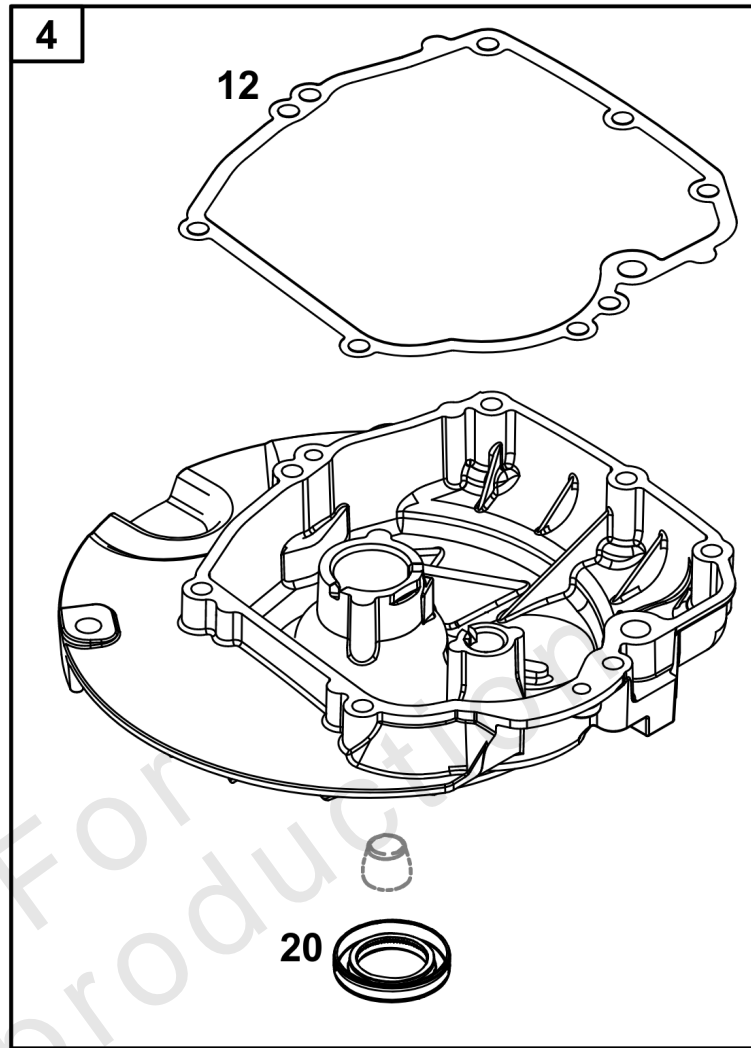
Carburetor Group

REF NO	PART NO	QTY	DESCRIPTION
104	590558	1	PIN, Float Hinge
105	594581	1	VALVE, Float Needle
117	597304	1	JET, Main -(Standard)
118	597305	1	JET, Main -(High Altitude)
121	594636	1	KIT, Carburetor Overhaul
122	590549	1	SPACER, Carburetor
125	597306	1	CARBURETOR
133	591120	1	FLOAT, Carburetor
137	594633	1	GASKET, Float Bowl
163	799580	1	GASKET, Air Cleaner
217	590740	1	SPRING, Choke Return
493	593330	1	BRACKET, Mounting -(Crankcase Cover/Sump or Cylinder Assembly)
623	799581	1	SEAL, O-Ring -(Carburetor Spacer)
729	594752	1	CLIP, Wire
951	591104	1	LEVER, Choke
975	594632	1	BOWL, Float
1127	590554	2	SCREW -(Float Bowl to Carburetor Body)
1218	270344S	1	SEAL, O-Ring -(Carburetor)
1218A	697478	1	RETAINER, Seal
1238	590562	2	SCREW -(Carburetor Spacer)



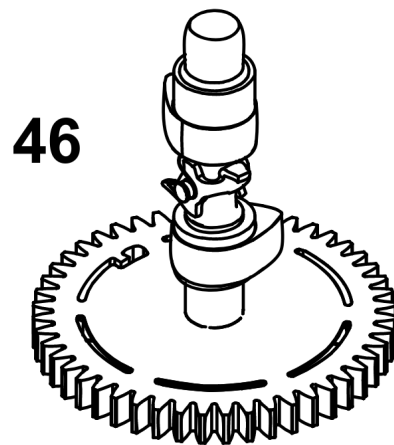
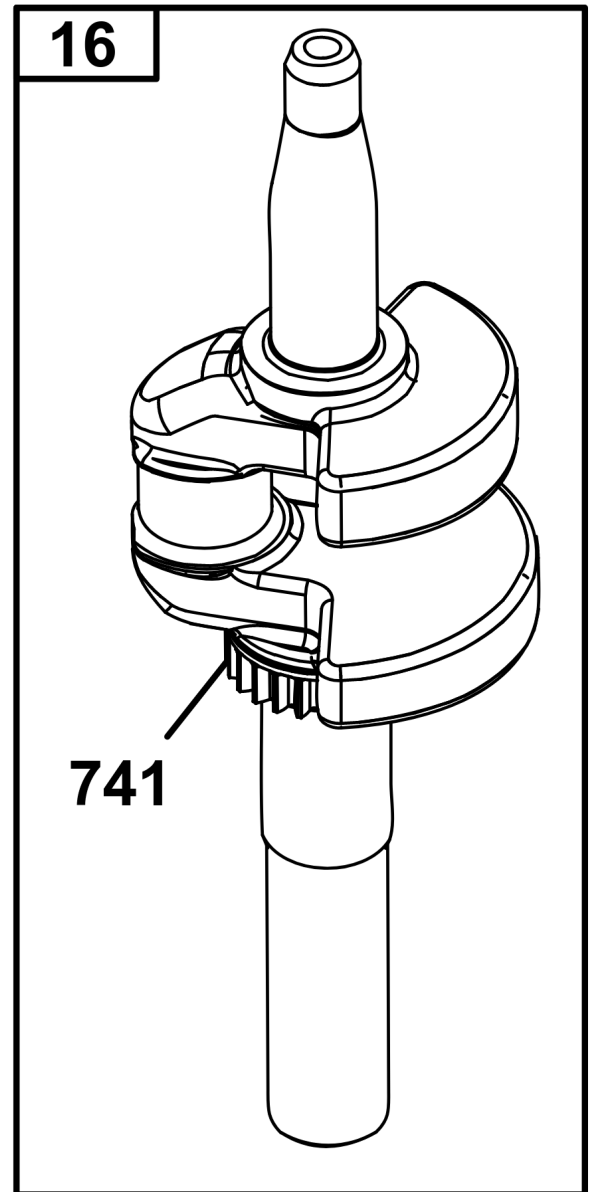
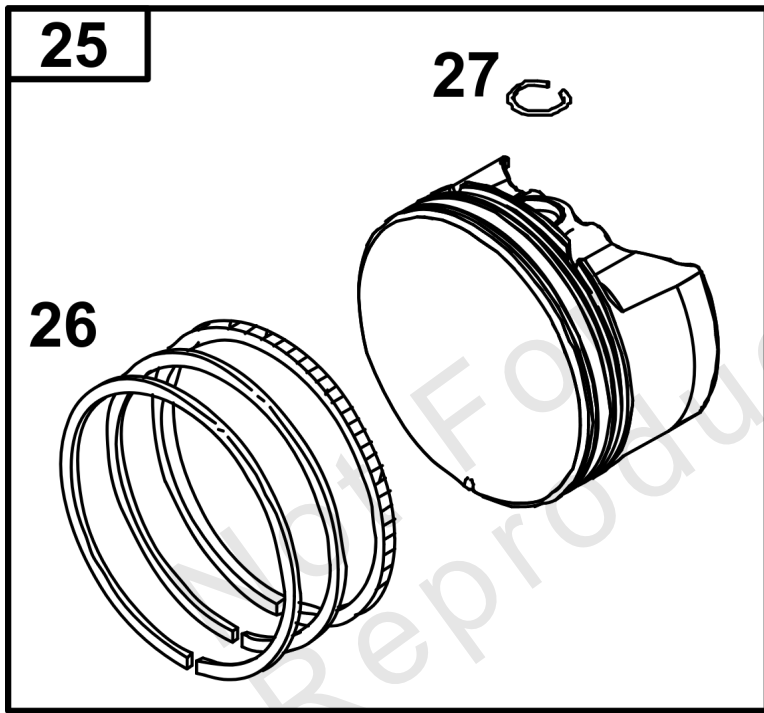
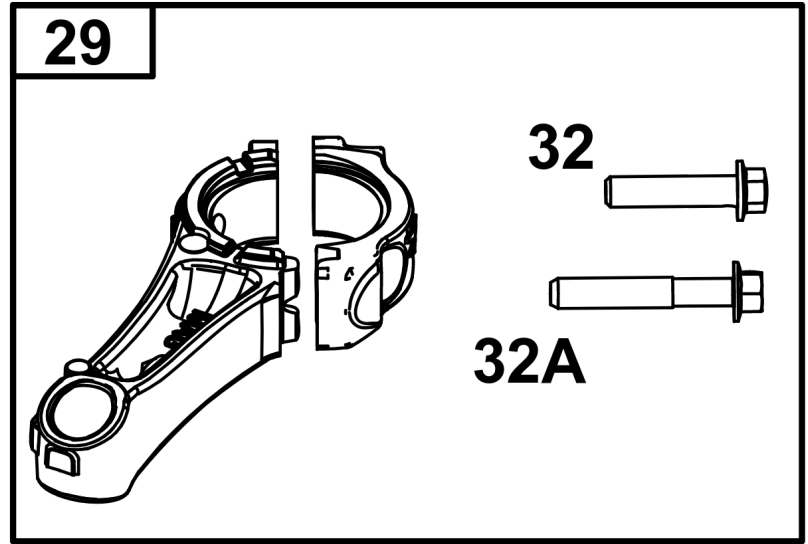
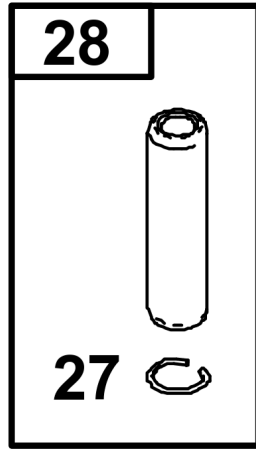
Controls Group

REF NO	PART NO	QTY	DESCRIPTION
188	793480	1	SCREW -(Control Bracket)
202A	597337	1	LINK, Mechanical Governor
209	597440	1	SPRING, Governor
222	596754	1	BRACKET, Control
227A	597336	1	LEVER, Governor Control
347	592694	1	SWITCH, Rocker
356	597293	1	WIRE, Stop -(Part information located in Flywheel/Ignition/Starter Group.)
401	597323	1	LINK, Choke
505	597312	1	NUT -(Governor Control Lever)
562	793514	1	BOLT -(Governor Control Lever)
575	593587	1	SWITCH, Starting
578	597292	1	WIRE ASSEMBLY
789	595149	1	WIRE ASSEMBLY



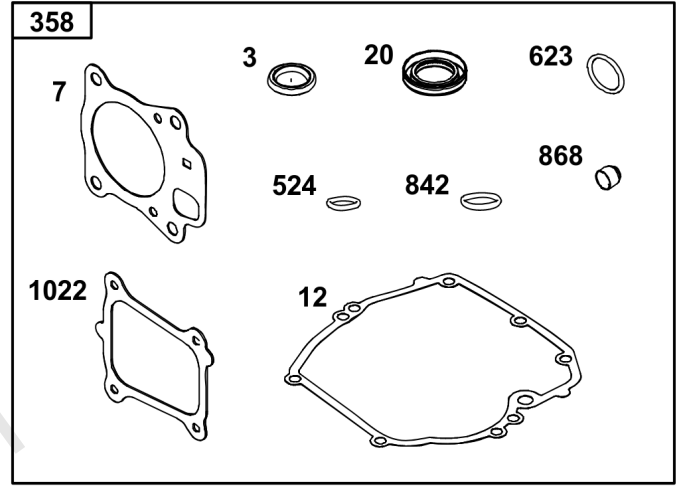
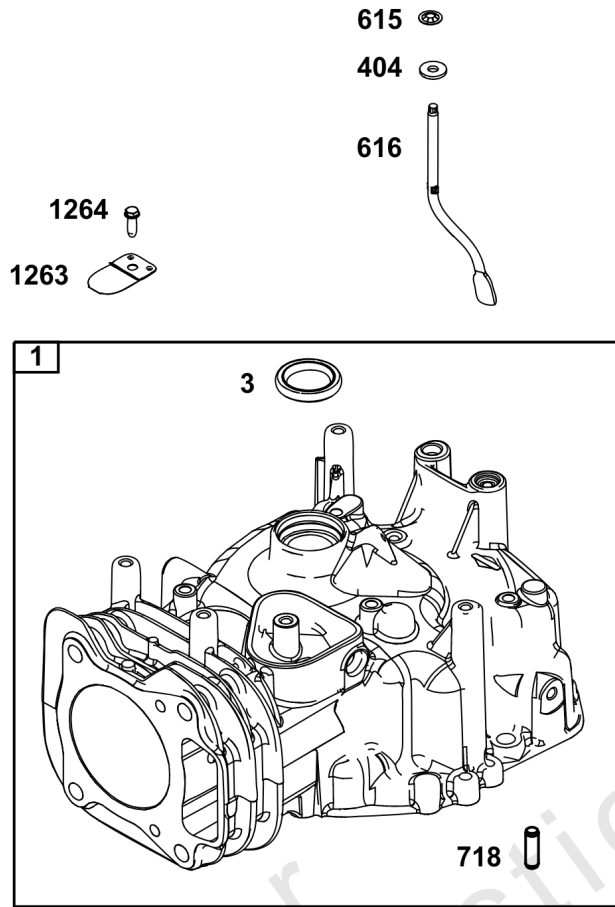
Crankcase Cover/Sump Group

REF NO	PART NO	QTY	DESCRIPTION
3	-----	1	SEAL, Oil -(Part information located in Cylinder Group.)
4	84007233	1	SUMP, Engine
7	-----	1	GASKET, Cylinder Head -(Part information located in Cylinder Head Group.)
12	692232	1	GASKET, Crankcase
20	399781S	1	SEAL, Oil -(PTO Side)
22	691092	7	SCREW -(Crankcase Cover/Sump)
358	-----	1	GASKET SET, Engine -(Part information located in Cylinder Group.)
524	-----	1	SEAL, O-Ring -(Part information located in Lubrication Group.)
623	-----	1	SEAL, O-Ring -(Part information located in Carburetor Group.)
718	-----	4	PIN, Locating -(Part information located in Cylinder Group.)
842	-----	1	SEAL, O-Ring -(Part information located in Lubrication Group.)
850	100106	1	SEALANT, Liquid
868	-----	1	SEAL, Valve -(Part information located in Cylinder Head Group.)
1022	-----	1	GASKET, Rocker Cover -(Part information located in Cylinder Head Group.)



Crankshaft Group

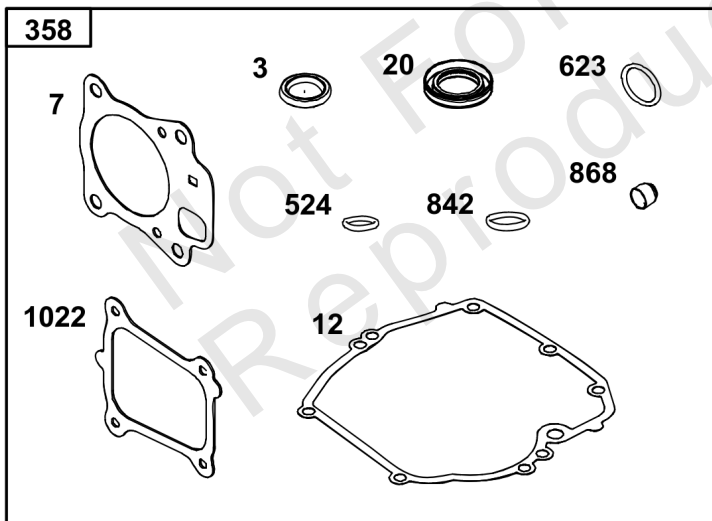
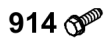
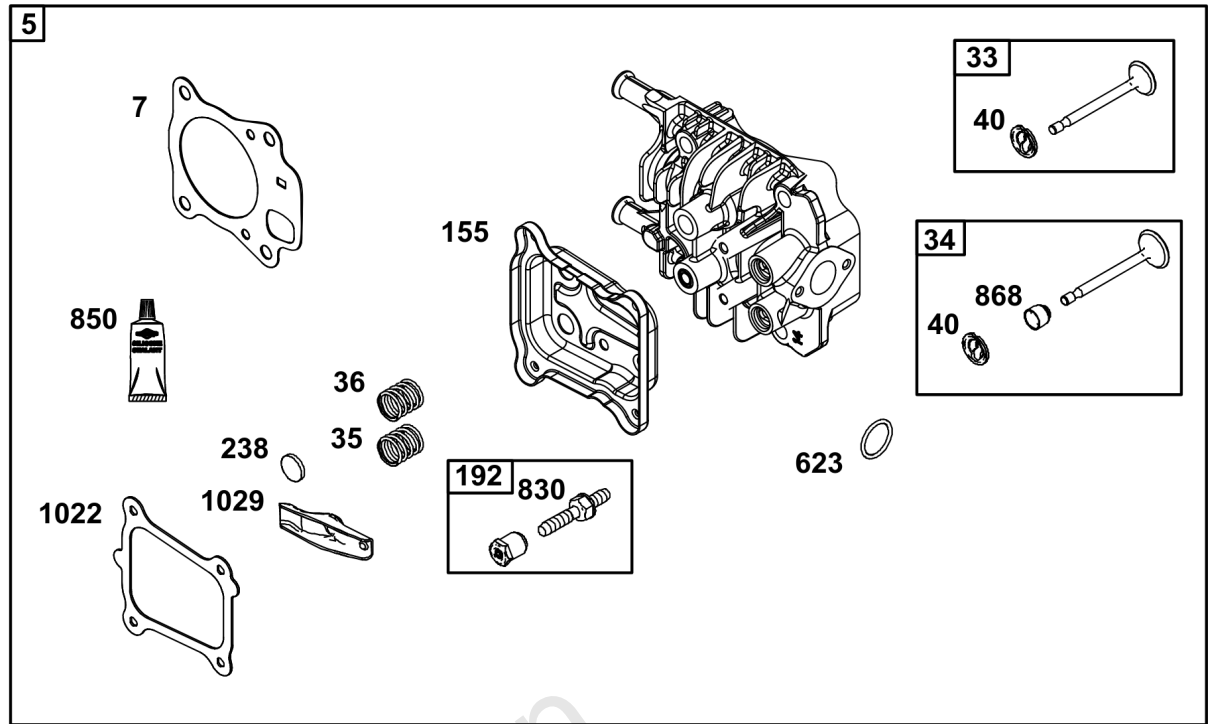
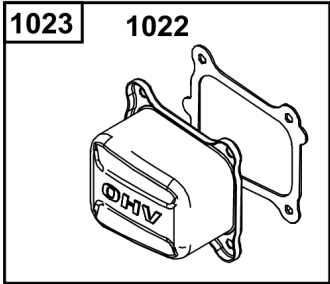
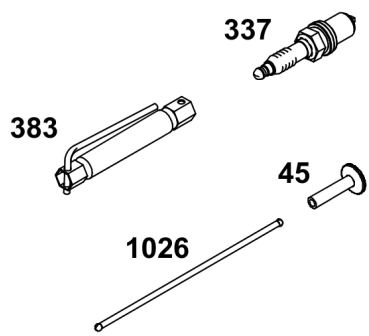
REF NO	PART NO	QTY	DESCRIPTION
16	597302	1	CRANKSHAFT
24	222698S	1	KEY, Flywheel
25	590404	1	PISTON ASSEMBLY -(Standard)
25	590405	1	PISTON ASSEMBLY -(.020 Oversize)
26	590402	1	SET, Ring -(Standard)
26	590403	2	SET, Ring -(.020 Oversize)
27	691588	1	LOCK, Piston Pin
28	298909	1	PIN, Piston
29	796470	1	ROD, Connecting
32	691664	1	SCREW -(Connecting Rod)(Short)
32A	695759	1	SCREW -(Connecting Rod)()
46	694039	1	CAMSHAFT
741	797521	1	GEAR, Timing



Not For
Reproduction

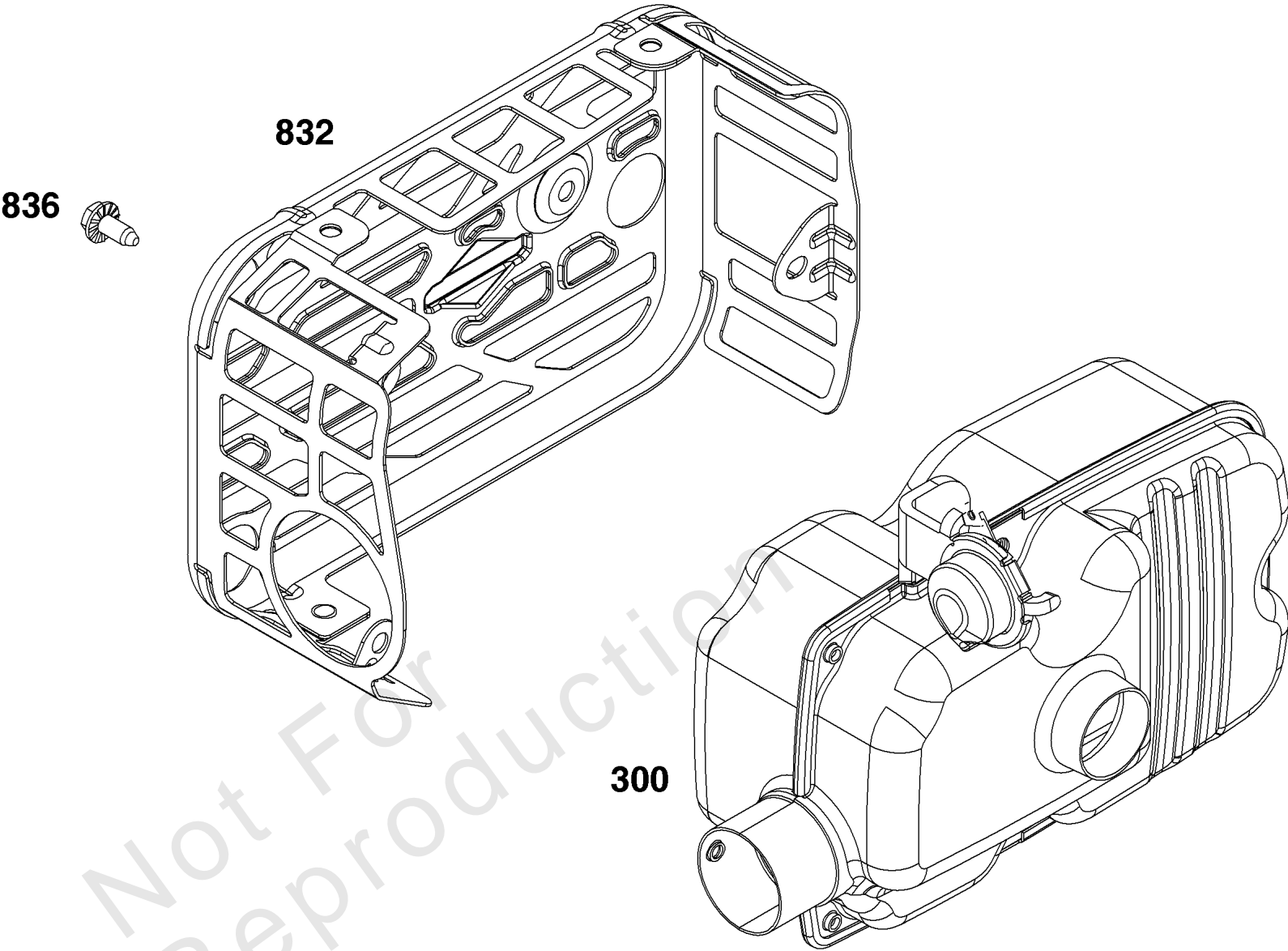
Cylinder Group

REF NO	PART NO	QTY	DESCRIPTION
1	595286	1	CYLINDER ASSEMBLY
3	299819S	1	SEAL, Oil -(Magneto Side)
7	-----	1	GASKET, Cylinder Head -(Part information located in Cylinder Head Group.)
12	-----	1	GASKET, Crankcase -(Part information located in Crankcase Cover/Sump and Lubrication Group.)
20	-----	1	SEAL, Oil -(Part information located in Crankcase Cover/Sump and Lubrication Group.)
358	597320	1	GASKET SET, Engine -(Service Kits can include parts not for this engine.)
404	690272	1	WASHER -(Governor Crank)
524	-----	1	SEAL, O-Ring -(Part information located in Crankcase Cover/Sump and Lubrication Group.)
615	690340	1	RETAINER, Governor Shaft
616	84007235	1	CRANK, Governor
623	-----	1	SEAL, O-Ring -(Part information located in Carburetor Group.)
718	690959	4	PIN, Locating
725	597313	1	SHIELD, Heat
728	793480	2	SCREW -(Heat Shield)
842	-----	1	SEAL, O-Ring -(Part information located in Crankcase Cover/Sump and Lubrication Group.)
868	-----	1	SEAL, Valve -(Part information located in Cylinder Head Group.)
1022	-----	1	GASKET, Rocker Cover -(Part information located in Cylinder Head Group.)
1263	697124	1	REED, Breather
1264	793453	1	SCREW -(Breather Reed)



Cylinder Head Group

REF NO	PART NO	QTY	DESCRIPTION
3	-----	1	SEAL, Oil -(Part information located in Cylinder Group.)
5	597267	1	HEAD, Cylinder
7	796475	1	GASKET, Cylinder Head
12	-----	1	GASKET, Crankcase -(Part information located in Crankcase Cover/Sump and Lubrication Group.)
13	799277	4	SCREW -(Cylinder Head)
20	-----	1	SEAL, Oil -(Part information located in Crankcase Cover/Sump and Lubrication Group.)
33	499642	1	VALVE, Exhaust
34	795443	1	VALVE, Intake
35	597303	1	SPRING, Valve -(Intake)
36	597303	1	SPRING, Valve -(Exhaust)
40	692194	2	RETAINER, Valve
45	690977	2	TAPPET, Valve
155	597311	1	PLATE, Cylinder Head
192	84007234	2	ADJUSTER, Rocker Arm
238	691300	2	CAP, Valve
337	594264	1	PLUG, Spark
358	-----	1	GASKET SET, Engine -(Part information located in Cylinder Group.)
383	19576S	1	WRENCH, Spark Plug
524	-----	1	SEAL, O-Ring -(Part information located in Crankcase Cover/Sump and Lubrication Group.)
623	-----	1	SEAL, O-Ring -(Part information located in Carburetor Group.)
718	-----	4	PIN, Locating -(Part information located in Cylinder Group.)
830	597315	2	STUD, Rocker Arm
842	-----	1	SEAL, O-Ring -(Part information located in Crankcase Cover/Sump and Lubrication Group.)
850	-----	1	SEALANT, Liquid -(Part information located in Crankcase Cover/Sump Group.)
868	597316	1	SEAL, Valve
914	591103	4	SCREW -(Rocker Cover)
1022	597318	1	GASKET, Rocker Cover
1023	597280	1	COVER, Rocker
1026	796481	2	ROD, Push
1029	691230	2	ARM, Rocker

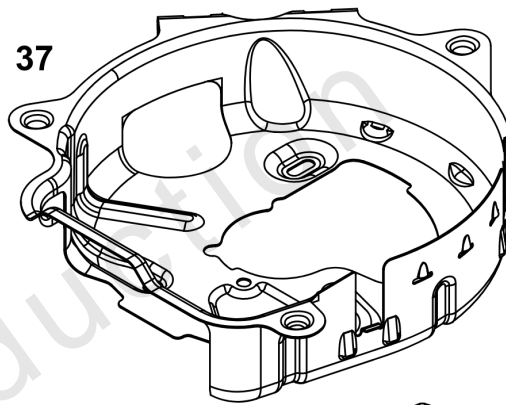
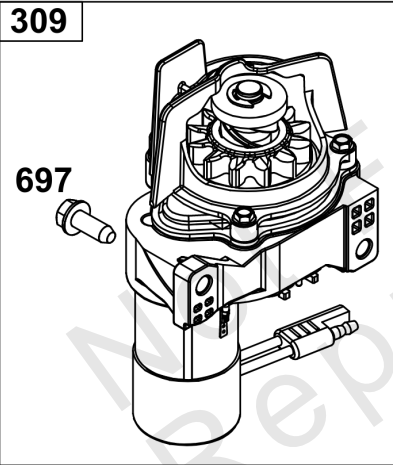
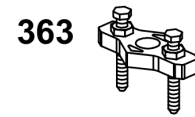
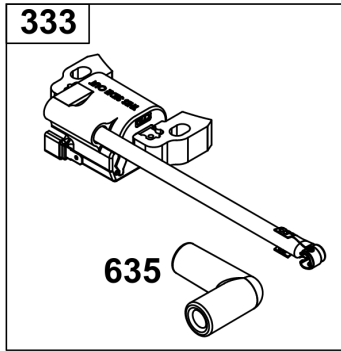


Not For
Reproduction

Exhaust Group

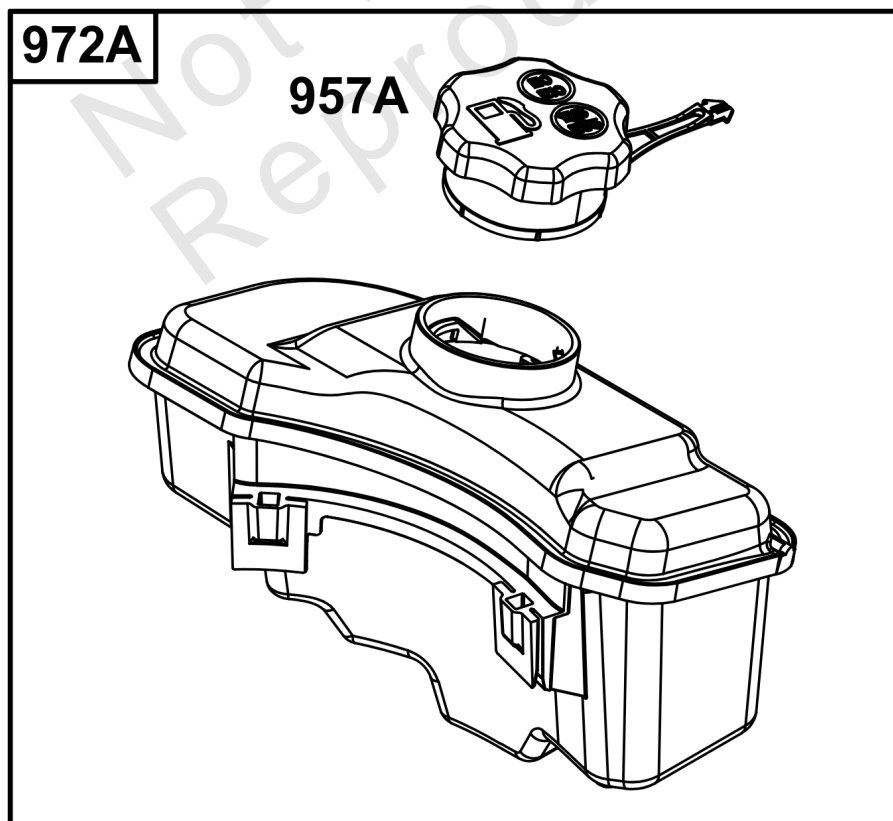
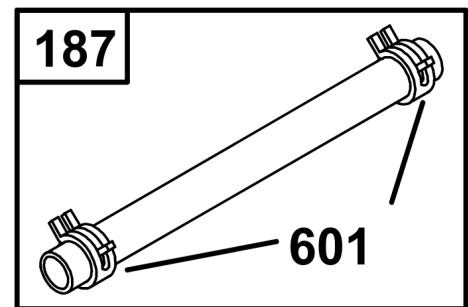
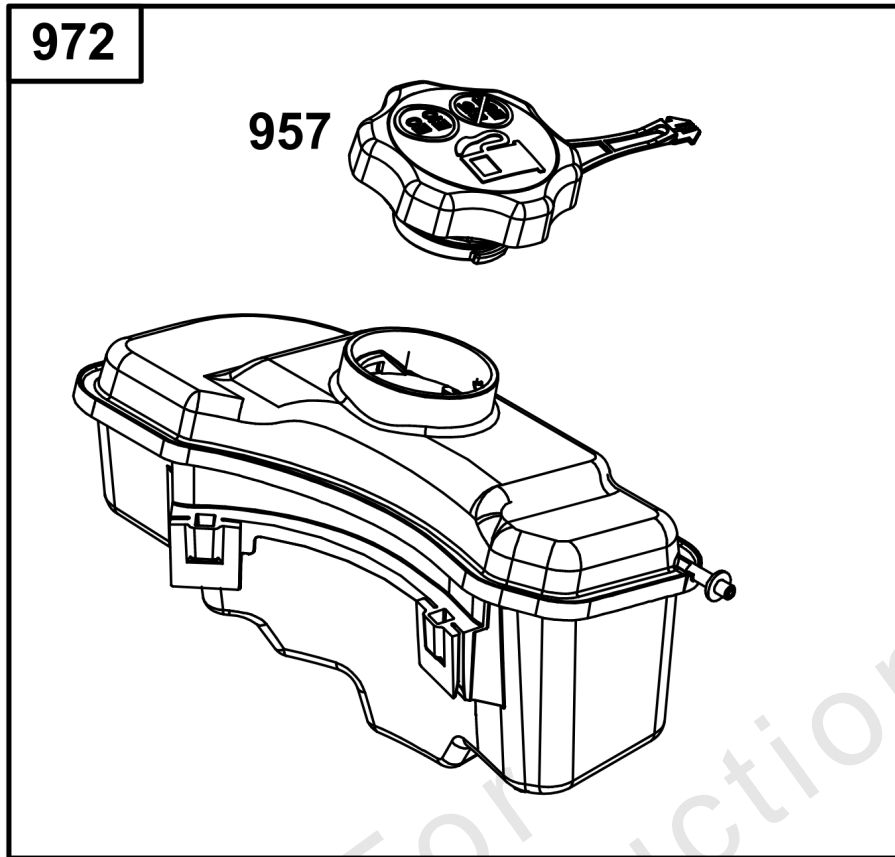
REF NO	PART NO	QTY	DESCRIPTION
300	597288	1	MUFFLER
832	597405	1	GUARD, Muffler
836	690661	4	SCREW -(Muffler Guard)

Not For Reproduction



Flywheel, Ignition, and Starter Group

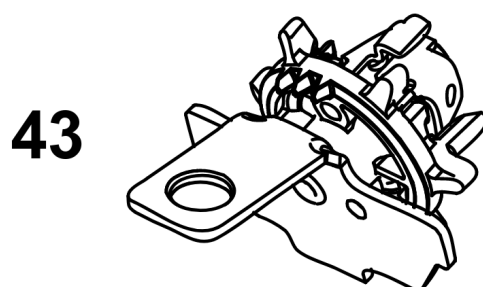
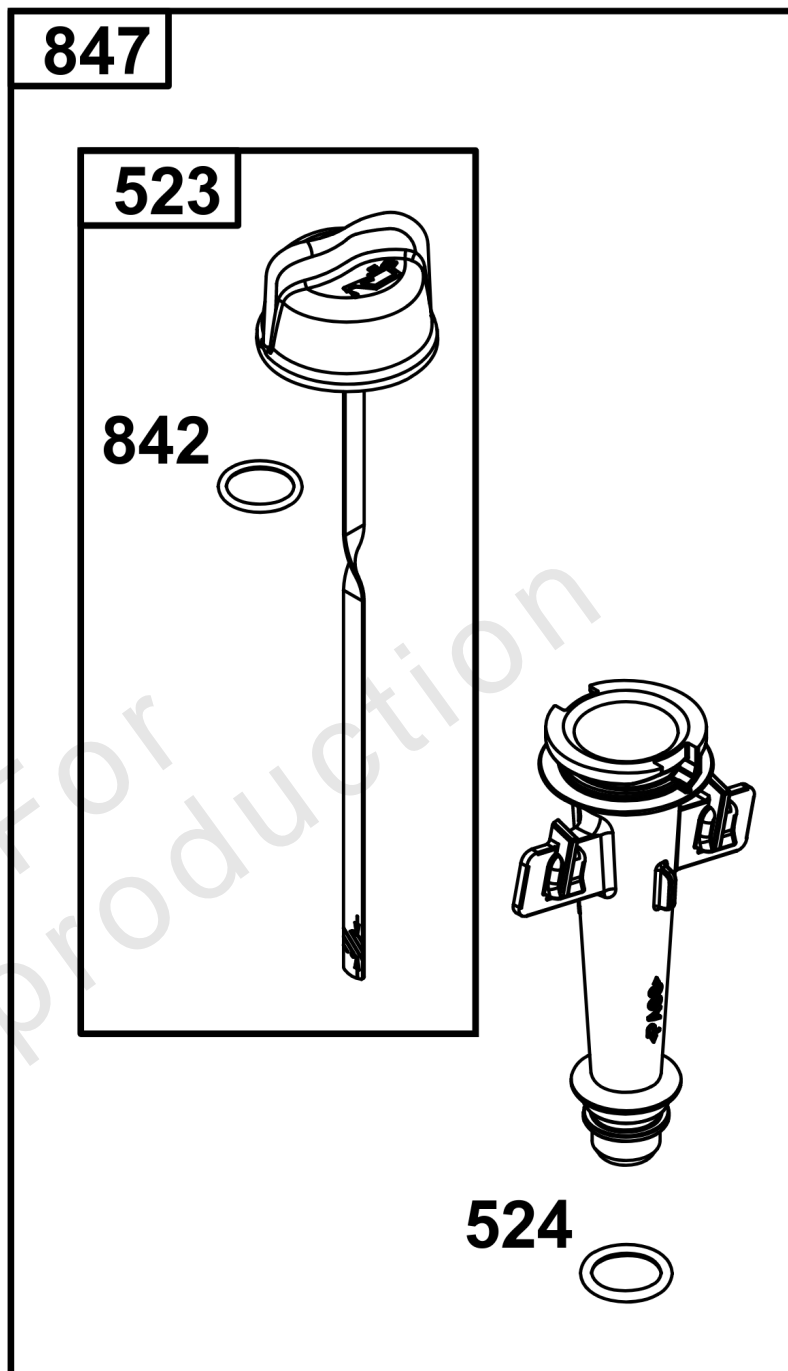
REF NO	PART NO	QTY	DESCRIPTION
23	84003743	1	FLYWHEEL
24	-----	1	KEY, Flywheel -(Part information located in Crankshaft Group.)
37	597759	1	GUARD, Flywheel
78	793480	5	SCREW -(Flywheel Guard)
309	84004207	1	MOTOR, STARTER
332	690662	1	NUT -(Flywheel)
333	595291	1	ARMATURE, Magneto
334	793454	2	SCREW -(Magneto Armature)
363	19203	1	PULLER, Flywheel
455	84003782	1	CUP, Flywheel
635	692076	1	BOOT, Spark Plug
697	691127	2	SCREW -(Drive Cap)
791	593561	1	CHARGER, Battery -(InStart)(North America)
791	593562	1	CHARGER, Battery -(InStart)(Europe)
791	593576	1	CHARGER, Battery -(InStart)(United Kingdom)
791	595887	1	CHARGER, Battery -(InStart)(Australia)
1511	593559	1	BATTERY -(Instart)(North America/Argentina)
1511	593560	1	BATTERY -(InStart)(Europe/Australia/Japan)



Fuel Supply Group

REF NO	PART NO	QTY	DESCRIPTION
187	791766	1	LINE, Fuel
601	791850	2	CLAMP, Hose
957	594061	1	CAP, Fuel Tank -Used Before Code Date 20010100
972	594112	1	TANK, Fuel -Used Before Code Date 20010100
957A	84004416	1	CAP, Fuel -Used After Code Date 19123100
972A	84007236	1	TANK, Fuel -Used After Code Date 19123100

Not For Reproduction



Lubrication Group

REF NO	PART NO	QTY	DESCRIPTION
43	593913	1	SLINGER, Governor/Oil
523	796503	1	DIPSTICK
524	691876	1	SEAL, O-Ring -(Dipstick Tube)
842	691031	1	SEAL, O-Ring -(Dipstick Cap)
847	596092	1	DIPSTICK/TUBE ASSEMBLY

Not For Reproduction

